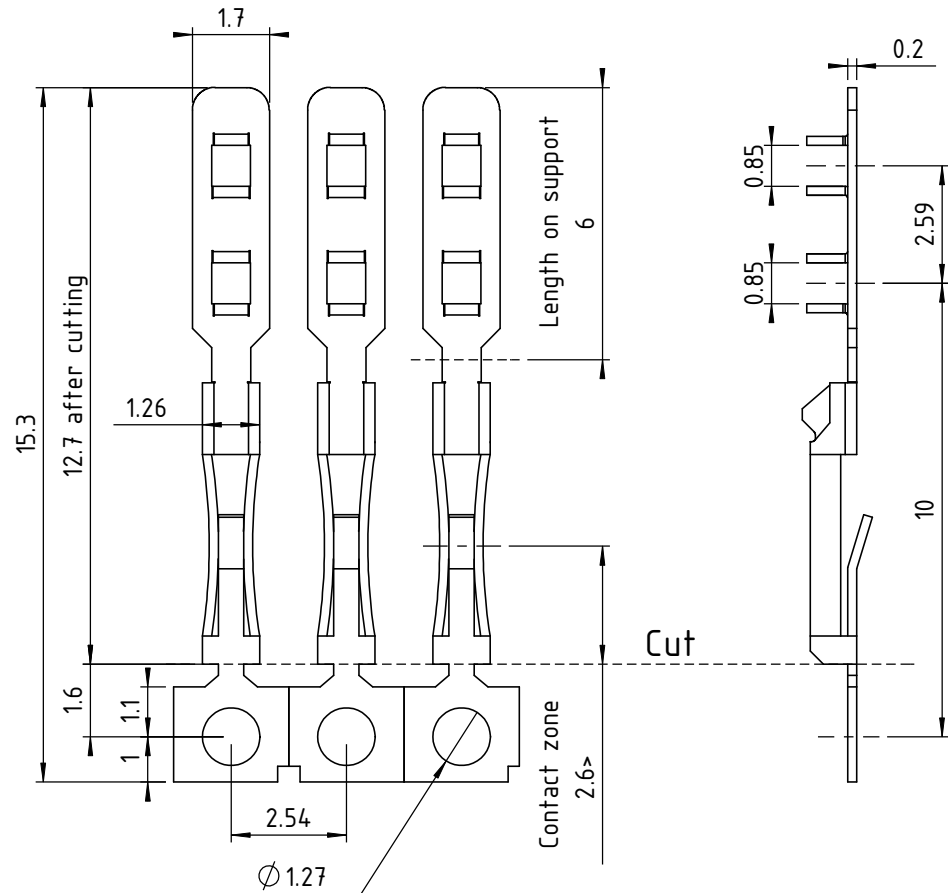


D C B A

4
3
2
1

4
3
2
1



* : X code corresponding to the conditioning
 1 = Incomplete reel
 2 = Complete reel

TECHNICAL DATA

MATERIAL

- Phosphor bronze
- 0.635 MM (.025") male and female contact plating**
- The standard connector is tin plated
 (Thickness : Ni 1µ + Sn 3 à 5µ)

MECHANICAL SPECIFICATIONS

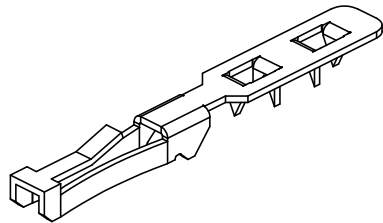
- Contact resistance to stripping from circuit
- ➔ 15 N mini (3.3 lbs) perpendicular to the tracks
 (breaking-up of the conductor)
- ➔ 50 N mini (11.2 lbs) parallel to the tracks
 (breaking-up of the conductor)

ELECTRICAL SPECIFICATIONS

- Contact resistance 5 mΩ maxi
- Contact resistance after climatic tests 6 mΩ maxi
- Insulation resistance 5.10⁵ MΩ à 500 V
- Withstanding voltage 1100 V eff.
- Capacitance between two contacts 4pF maxi
- Direct current rating per contact 3 A permanent
- Alternating current rating per contact 5 A permanent

THERMIC SPECIFICATIONS

- Connector operating temperature
 -55°C à +150°C -67F to +302F



 www.nicomatic.com Mail : nicomatic@nicomatic.fr Tel : +33 (0)4.50.36.13.85	2	18/12/08	H.L.	E.M.	D.Z.
	Iss	Date	Drawn	Checked	Approved
Item : Tin plating female contact					
Folder : X:\Méthodes\Plans clients\Plans clients 2D\01 - Crimpflex\02 - Contact\10025-1X_cl					

This document and drawings, sketches, and schematic drawings are the property of the NICOMATIC company, and no parts thereof may be reproduced and used without the written consent of the owner. Law dated 11.03.1902

Catalogue Reference : 10025-1X

	General tolerance ±0.5	Scale 6:1	Page 2/2
--	------------------------	-----------	----------

D C B A A4