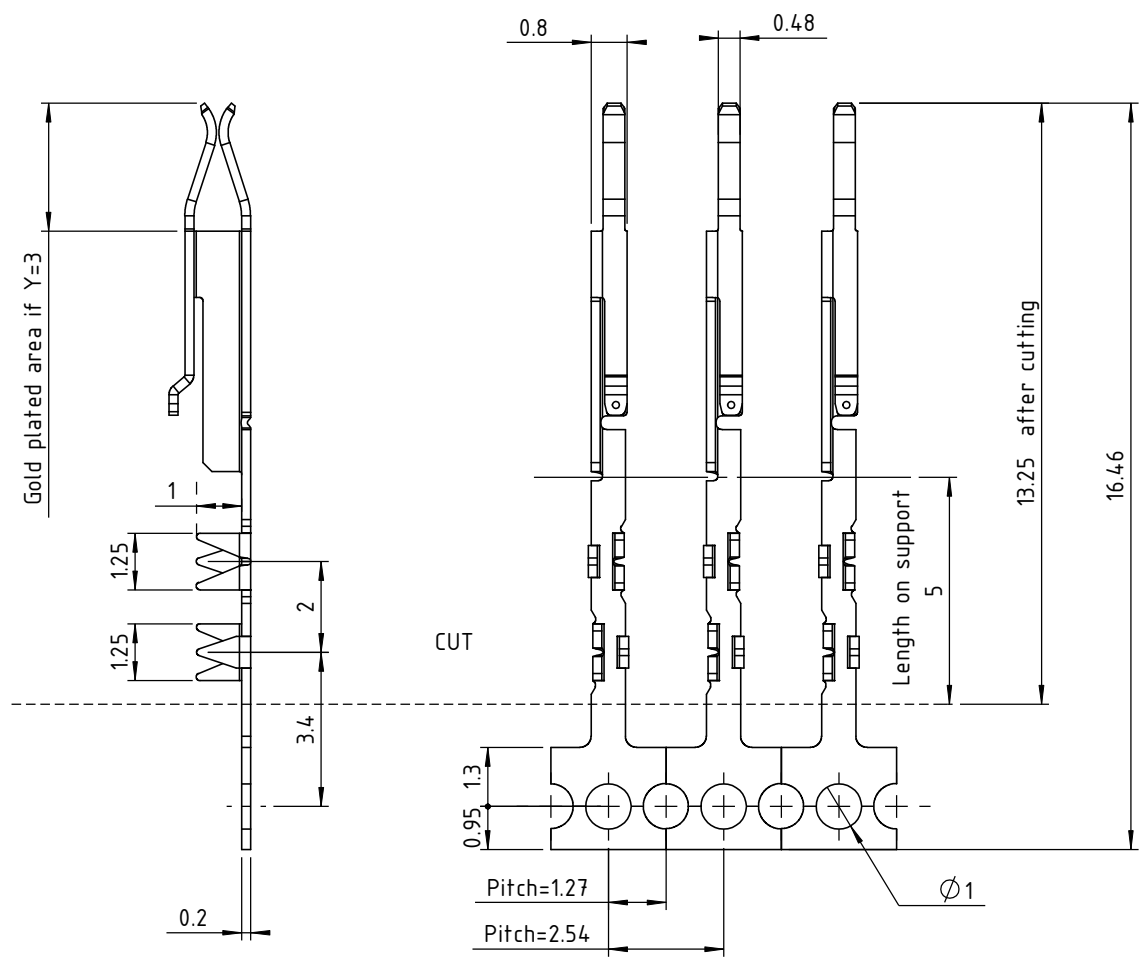


D C B A

4
3
2
1



TECHNICAL DATA



MATERIAL

- Phosphor bronze

PLATING

- Y code = 1 = tin plated
(thickness : Ni 1 to 2µ + Sn pur brillant 3 to 5µ)
- Y code = 3 = selective gold plated
(thickness : Ni 1 to 2µ + Sn pur brillant 3 to 5µ + Au 0.15µ)

MECHANICAL SPECIFICATIONS

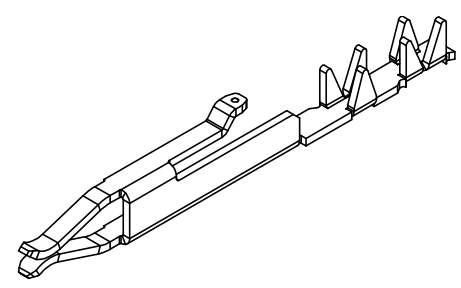
- Max. contact engagement force : 1 N
- Min. contact separation force : 0.15 N

ELECTRICAL SPECIFICATIONS

- Minimum Breakdown Voltage = 1200 VRMS
- Withstanding voltage : 900V RMS
- Rated voltage : 300V RMS
- Rated current per contact : 3 A
- Peak current per contact : 4 A
- Contact resistance in combination with tin plated male contacts :
 - Tin plated contact :
 - Initial Contact Resistance @3A = 10 mΩ max.
 - Contact Resistance @3A after 500 cycles ≈ 50 mΩ
 - Gold plated contact :
 - Initial Contact Resistance @3A < 40 mΩ
 - Contact Resistance @3A after 500 cycles < 40 mΩ

THERMAL SPECIFICATIONS (to be qualified)

- Contact operating temperature : -55°C to +150°C



X code corresponding to the conditioning :

- 1 = Incomplete reel
- 2 = Complete reel

Y code corresponding to the plating :

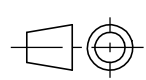
- 1 = Tin plated
- 3 = Selective gold plated

Ce plan est la propriété exclusive de la société NICOMATIC. Il ne peut être reproduit sans son autorisation. Loi du 11.03.1902.

This document and drawings, sketches, and schematic drawings are the property of the NICOMATIC company, and no parts thereof may be reproduced and used without the written consent of the owner. Law dated 11.03.1902



173, rue des fougères Tel. : +33 (0)4.50.36.13.85
 Z.I. Les Bracots Fax : +33 (0)4.50.36.11.33
 F-74890 Bons-en-Chablais Web : www.nicomatic.com



Echelle/Scale
6:1

2	22/07/09	C.G.	E.M.	D.Z.
Iss	Date	Drawn	Checked	Approved
Item : CRIMP FLEX 1.27 pitch, female contact				

Repertoire / Folder : X:\Méthodes\Plans clients\Plans clients 2D\01 - Crimpflex\07 - Contact 1.27mm\16068-YX_cl

Réf. catalogue / Catalogue Reference 16068-YX

Tolérance générale / General tolerance

Page 1/1 A4

D A