

D

C

B

A

4

3

2

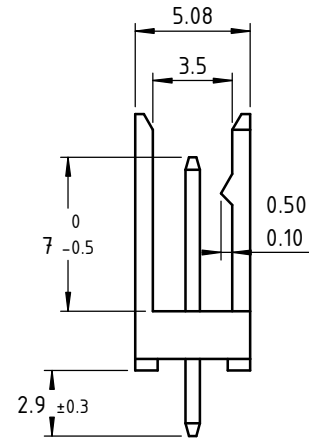
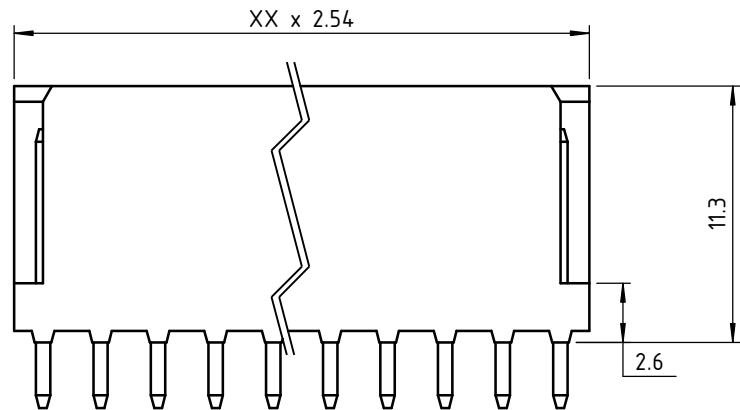
1

4

3

2

1



TECHNICAL DATA

INSULATOR

Glass filled plastic UL94 V0



PLATING

Z = 1 Tin plated (thickness : Ni 0.5μ mini. + Sn 3μ mini.)
Z = 4 Gold plated (thickness : Ni 0.5μ mini. + Flash Au)

MECHANICAL SPECIFICATIONS

Mechanical endurance :

50 operations with tin plated
500 operations with gold plated

Insertion Force :

3 N max. with tin plated
1.5 N max. with gold plated

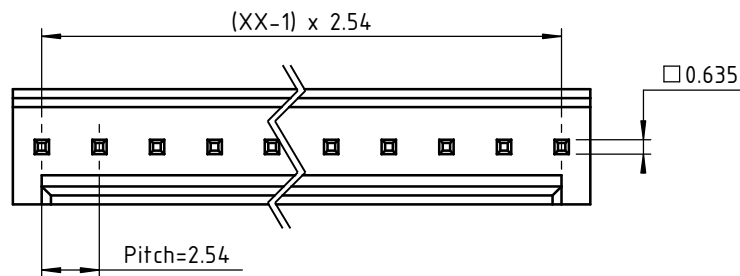
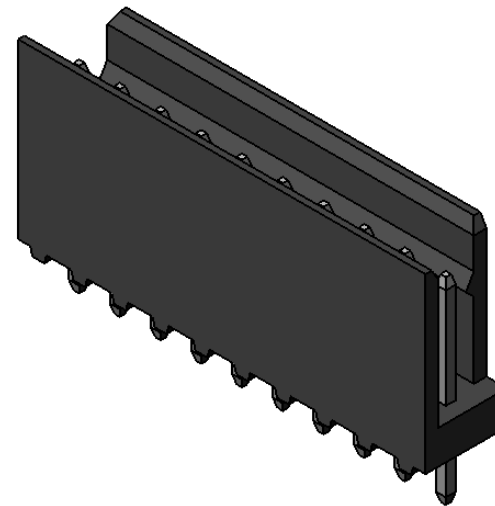
ELECTRICAL SPECIFICATIONS

Contact resistance : 20mΩ max.
AC current rating per contact 3A
Min. withstanding voltage 500V RMS
Min. insulator resistance 1000 MΩ

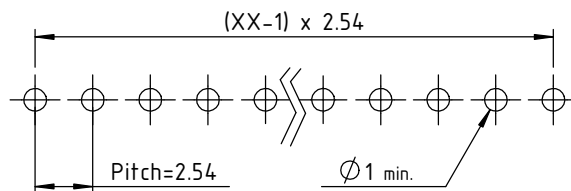
THERMAL SPECIFICATIONS

Connectors operating temperature : -40°C to +150°C

XX : Number of pins : 02 to 20



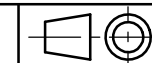
PCB layout recommended :



 www.nicomatic.com Mail : nicomatic@nicomatic.fr Tel : +33 (0)4.50.36.13.85	g	06/10/14	C.B.	V.G.
	Iss	Date	Drawn	Checked
Item : Walled header HE13-HE14 straight single row				
Folder : X:\Méthodes\Plans clients\Plans clients 2D\31 - Connecteurs et dérivés HE13-HE14\03-Connecteurs\1Y-10-1Z1-XX-1_c				

This document and drawings, sketches, and schematic drawings are the property of the NICOMATIC company, and no parts thereof may be reproduced and used without the written consent of the owner. Law dated 11.03.1902

Catalogue Reference : 1Y-10-1Z1-XX-1



General tolerance ±0.2

Scale 3:1 Page 1/1

D

A4