



TECHNICALS FEATURES

MATERIAL

INSULATOR : Special PPS (Polyphenylene Sulfide Fiberglass filled thermoplastic) UL 94-V0

- Radiation resistance
- No humidity absorption
- Oxygen free

Note : PPS characteristics are recognized for space applications

CRIMPING SIGNAL CONTACTS :

- Female :**
- **Body** : Copper alloy / Ni + Au 0.2µ
 - **Socket body** : Beryllium copper / Ni + Au 1.25µ

FIXING HARDWARE :

- **Jackscrew** : Stainless steel

ELECTRICAL for LF Contacts

- **All contacts** : 3 A max. @ 25°C
2.2 A max. @ 85°C
- **Working voltage (sea level)** : Tested at 800 V DC
- **Proof voltage** : Tested at 1200 V DC
- **Contact resistance (initially)** : max. 10 mΩ
- **Insulation resistance** : 1000 MΩ min

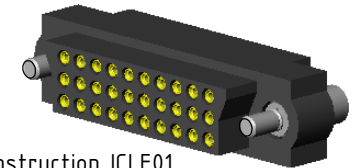
MECHANICAL for LF Contacts

- **Mechanical operations** : 500 cycles min. up to 2500.
- **Contact insertion and withdrawal force** : 2 N max. / 0.2 N min.
- **Contact retention in insulator** : 10 N min.
- **Contact replacement in insulator** : 3 cycles

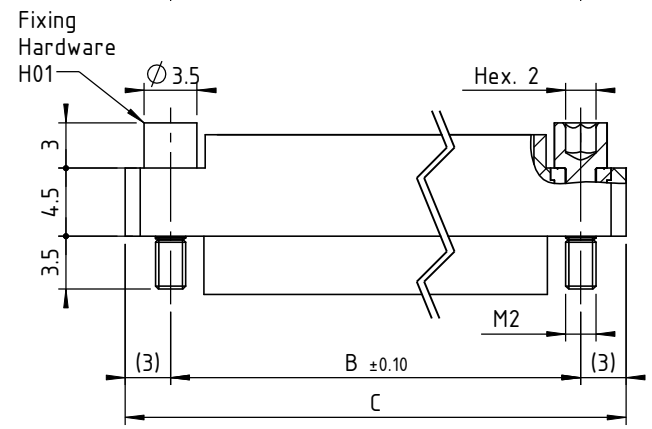
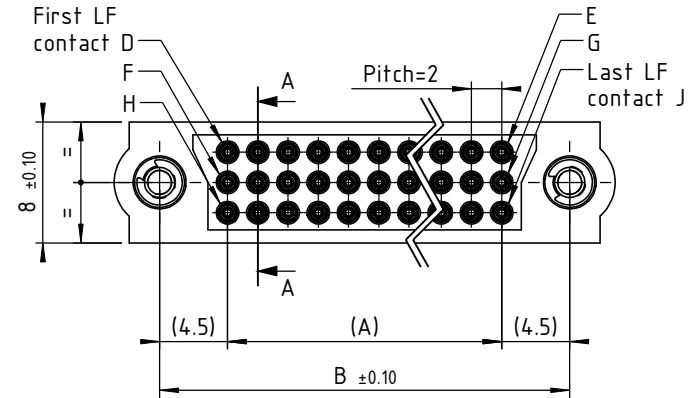
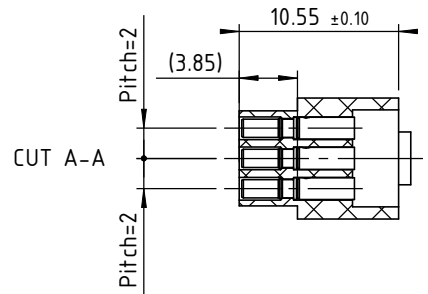
ENVIRONMENTAL

- **Temperature range** : From -60°C to +260°C
- **Vibration severity** : 0.75mm, 10 g RMS 6 hours long random with superimposed sinusoid. No intermittencies measured when using an H.S.L.I. (High Speed Logic Interrupt) detector with a trip threshold of 2 ns.
- **Shock severity** : 100g for 6 ms
- **Solvent resistance** : HcFc 141 bMGX (ATOCEM) solvent
- **Salt spray test** : 96 hrs
- **Humidity test** : 56 days @ 90% Humidity

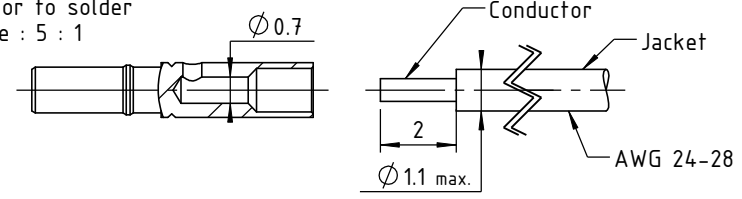
View scale : 1.5:1



Crimping following cable instruction ICLF01
Marking as referenced in the CMM catalogue pages 12 & 13



LF contact "S" AWG24-28 to crimp or to solder scale : 5 : 1



CONNECTOR SERIES 320 FEMALE										
LF contact number	Distance between the axes in mm		Length in mm	LF contacts reference mark number						
	A	B		C	D	E	F	G	H	J
006	2	11	17	1	2	3	4	5	6	
009	4	13	19	1	3	4	6	7	9	
012	6	15	21	1	4	5	8	9	12	
015	8	17	23	1	5	6	10	11	15	
018	10	19	25	1	6	7	12	13	18	
021	12	21	27	1	7	8	14	15	21	
024	14	23	29	1	8	9	16	17	24	
027	16	25	31	1	9	10	18	19	27	
030	18	27	33	1	10	11	20	21	30	
033	20	29	35	1	11	12	22	23	33	
036	22	31	37	1	12	13	24	25	36	
039	24	33	39	1	13	14	26	27	39	
042	26	35	41	1	14	15	28	29	42	
045	28	37	43	1	15	16	30	31	45	
048	30	39	45	1	16	17	32	33	48	
051	32	41	47	1	17	18	34	35	51	
054	34	43	49	1	18	19	36	37	54	
057	36	45	51	1	19	20	38	39	57	
060	38	47	53	1	20	21	40	41	60	
063	40	49	55	1	21	22	42	43	63	
066	42	51	57	1	22	23	44	45	66	
069	44	53	59	1	23	24	46	47	69	
072	46	55	61	1	24	25	48	49	72	
075	48	57	63	1	25	26	50	51	75	
078	50	59	65	1	26	27	52	53	78	
081	52	61	67	1	27	28	54	55	81	
084	54	63	69	1	28	29	56	57	84	
087	56	65	71	1	29	30	58	59	87	
090	58	67	73	1	30	31	60	61	90	
093	60	69	75	1	31	32	62	63	93	
096	62	71	77	1	32	33	64	65	96	
099	64	73	79	1	33	34	66	67	99	
102	66	75	81	1	34	35	68	69	102	
105	68	77	83	1	35	36	70	71	105	
108	70	79	85	1	36	37	72	73	108	
111	72	81	87	1	37	38	74	75	111	
114	74	83	89	1	38	39	76	77	114	
117	76	85	91	1	39	40	78	79	117	
120	78	87	93	1	40	41	80	81	120	

Tools recommended	
LF contacts insertion & withdrawal tool	P/N C12935
Recommended hand crimp tool	P/N MH800
Recommended positionner K 1692	P/N C12929
AWG24 crimp tool setting	Position 7
AWG26 & AWG28 crimp tool setting	Position 6

nicomatic
www.nicomatic.com
Mail : nicomatic@nicomatic.fr
Tel : +33 (0)4.50.36.13.85

2	19/05/09	H.L.	E.M.	D.Z.
Iss	Date	Drawn	Checked	Approved
Item : Connector CMM320 female to crimp AWG 24-28, nnn LF contacts, H01				

This document and drawings, sketches, and schematic drawings are the property of the NICOMATIC company, and no parts thereof may be reproduced and used without the written consent of the owner. Law dated 11.03.1902

Catalogue Reference : 322SnnnnH01

	General tolerance ±0.2	Scale 2:1	Page 1/1
--	------------------------	-----------	----------