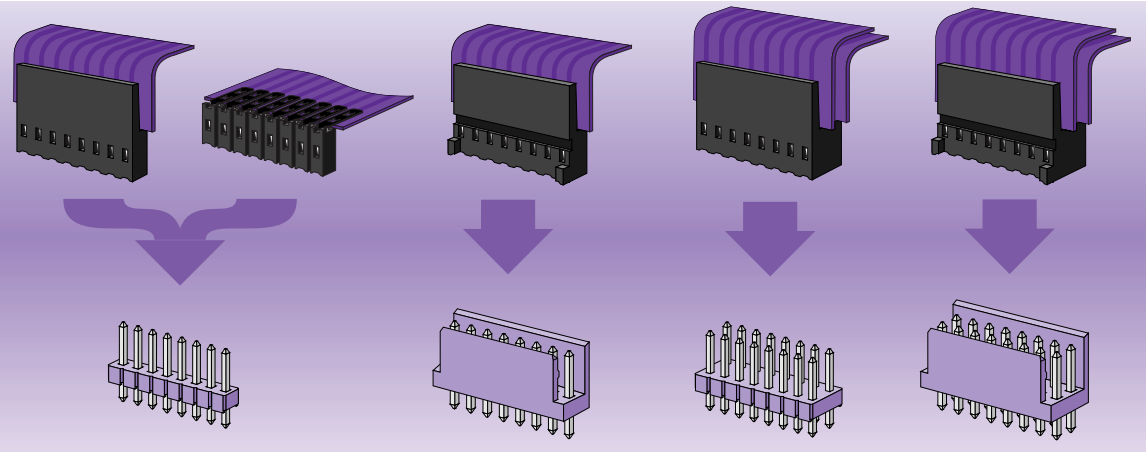


Female contacts

TYPICAL CONTACT APPLICATION



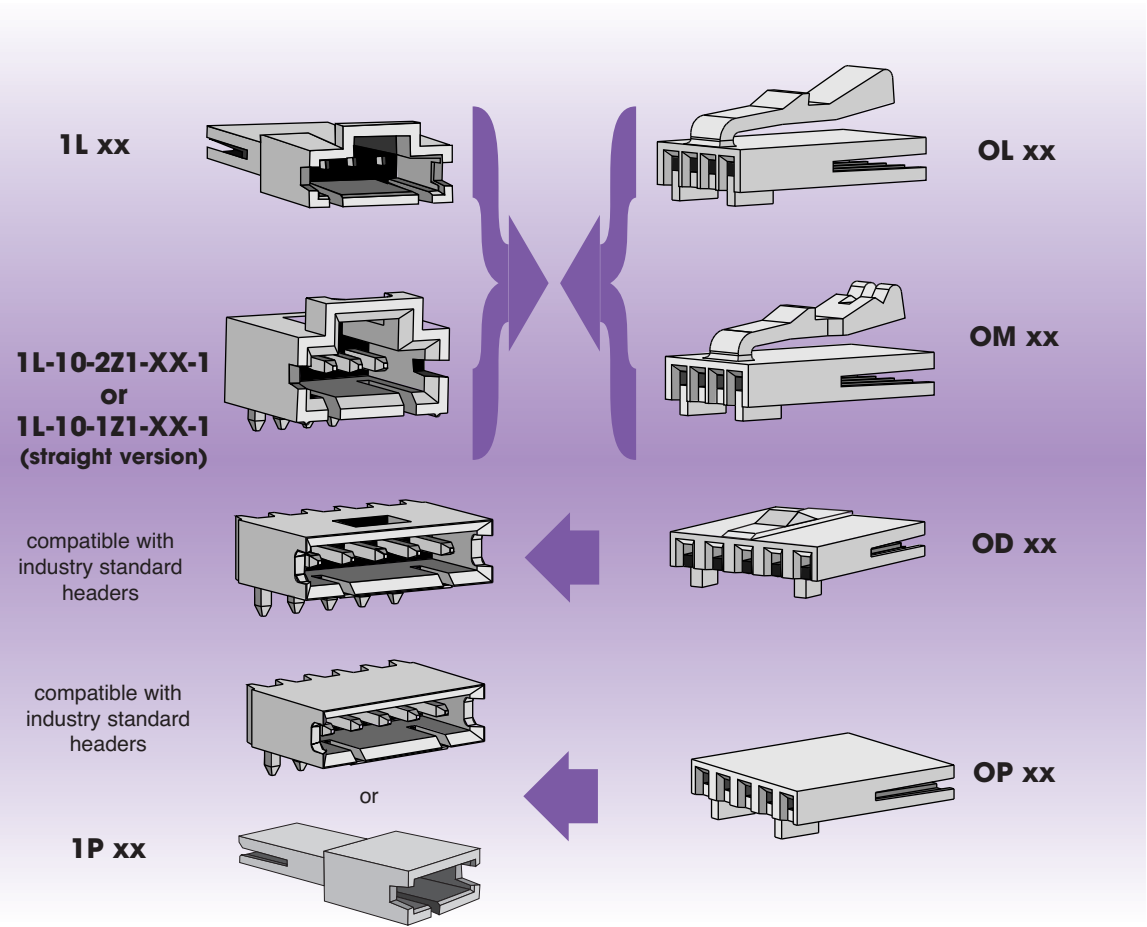
Straight single row standard header
(refer to page 34)

Straight single row walled header
(refer to page 35)

Straight double row standard header
(refer to page 34)

Straight double row walled header
(refer to page 35)

The length of the pin on mating side must range from 4.5 mm to 7 mm.



1L xx

OL xx

1L-10-2Z1-XX-1
or
1L-10-1Z1-XX-1
(straight version)

OM xx

compatible with industry standard headers

OD xx

compatible with industry standard headers

OP xx

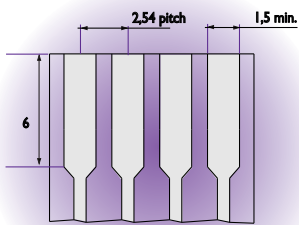
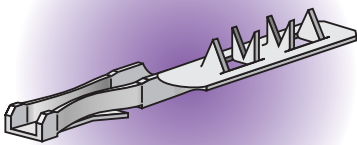
1P xx

Female contacts

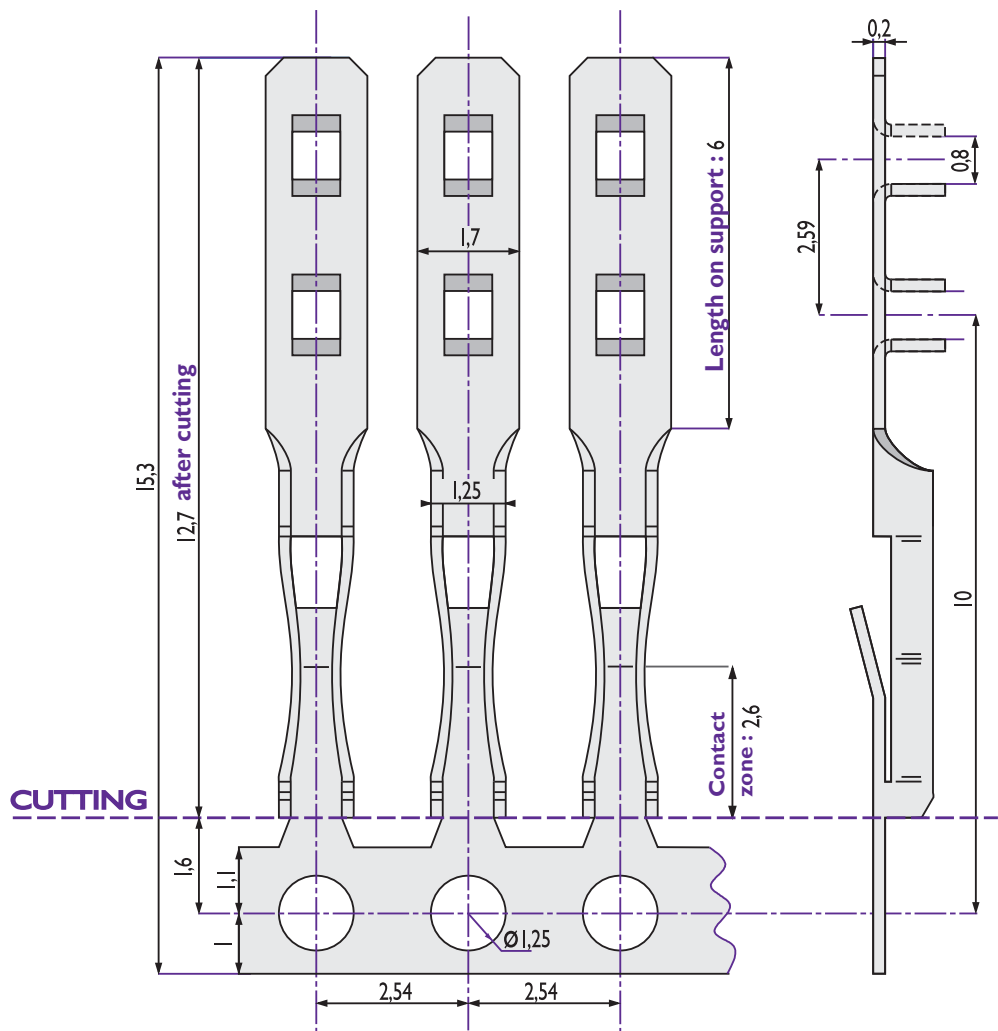
LOW INSERTION FORCE REF. 11506

- Au = 1.5 N max (5.5 oz)
- Sn = 3 N max (11 oz)

Number of mating cycles = 500
Number of mating cycles = 50



Contact lay out



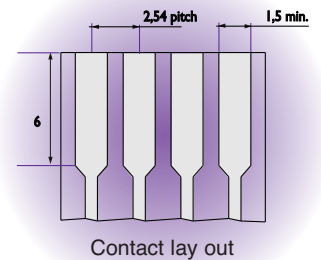
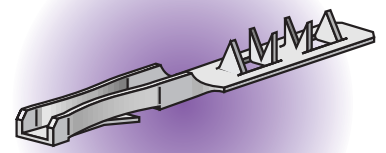
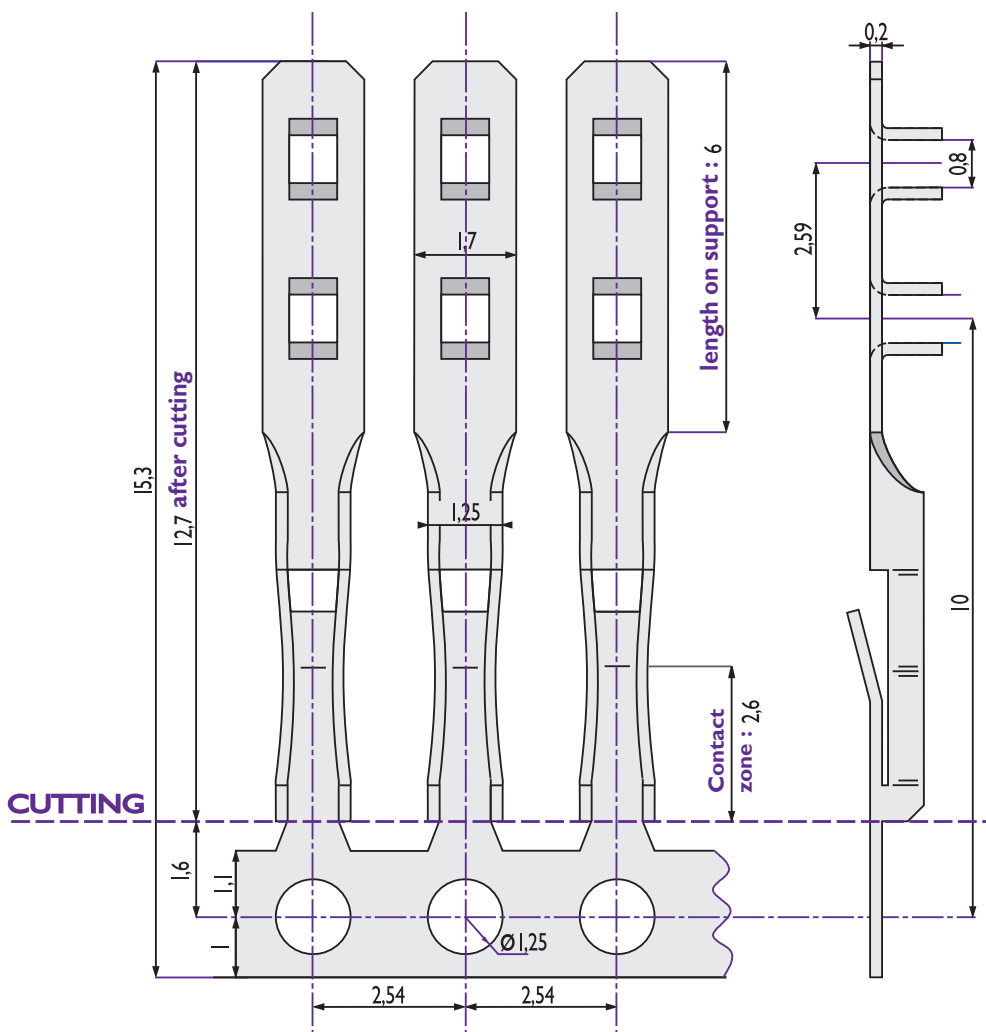
REF.	PLATING	REEL
11506-12	Tin plated	35 000 contacts
11506-32	Selective gold plated	35 000 contacts
OTHER PLATINGS ON REQUEST		

Dimensions in mm

Female contacts

HIGH INSERTION FORCE REF. 10025

- Increased retention for high vibration applications.
- Recommended for a small amount of contacts (2 to 10 contacts).



Dimensions in mm

REF.	PLATING	REEL
10025-12	Tin plated	35 000 contacts
10025-32	Selective gold plated	35 000 contacts
OTHER PLATINGS ON REQUEST		

