

NICOMATIC is certified  
ISO9001:2008 / EN9100:2003

# T-SWITCH<sup>®</sup> & P-SWITCH<sup>®</sup>

**INNOVATION**  
*contact us !*

## ONE CONCEPT

- Long life and ultra-thin sealed tactile metal dome switching component for **Surface Mounting Technology** and **pick & place** placement onto printed circuit boards.



Pick & place reel

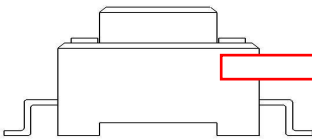
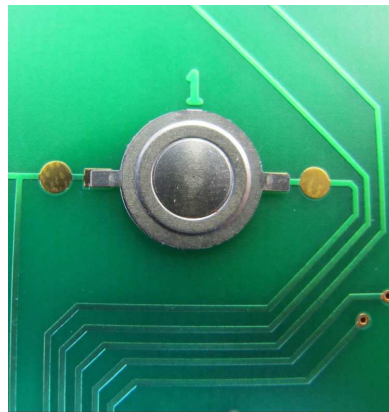
## MANY APPLICATIONS

### T-SWITCH<sup>®</sup>

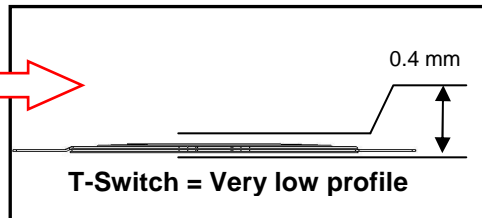
#### Tactile Switch Pick & Place



Solder on PCB (Standard use)  
or on other supports



Standard Tact-Switch

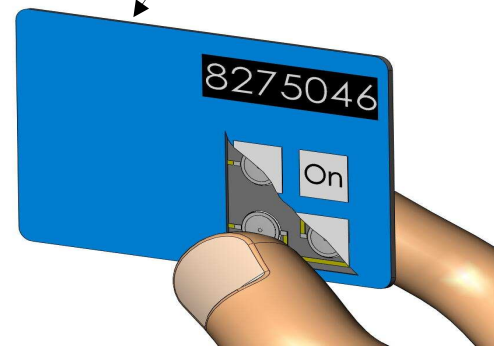


T-Switch = Very low profile

### P-SWITCH<sup>®</sup>

#### Pinching Switch button

Ultrathin (0,8mm)



Pinch simultaneously on both sides  
**TO ACTIVATE**

## ADVANTAGES

- Standard SMT pick & place placement
- Sealed applications compatible & activation reliable under resin layer
- Autonomous button: does not need to be placed on PCB to operate!
- Reduced height: Ø8.5mm = 0.4mm / Ø12mm = 0.6mm
- Durable & reliable (extra-long life expectancy): > 5M cycles
- Excellent tactile effect: > 80% click ratio
- 100% mechanical & dimensional features controlled



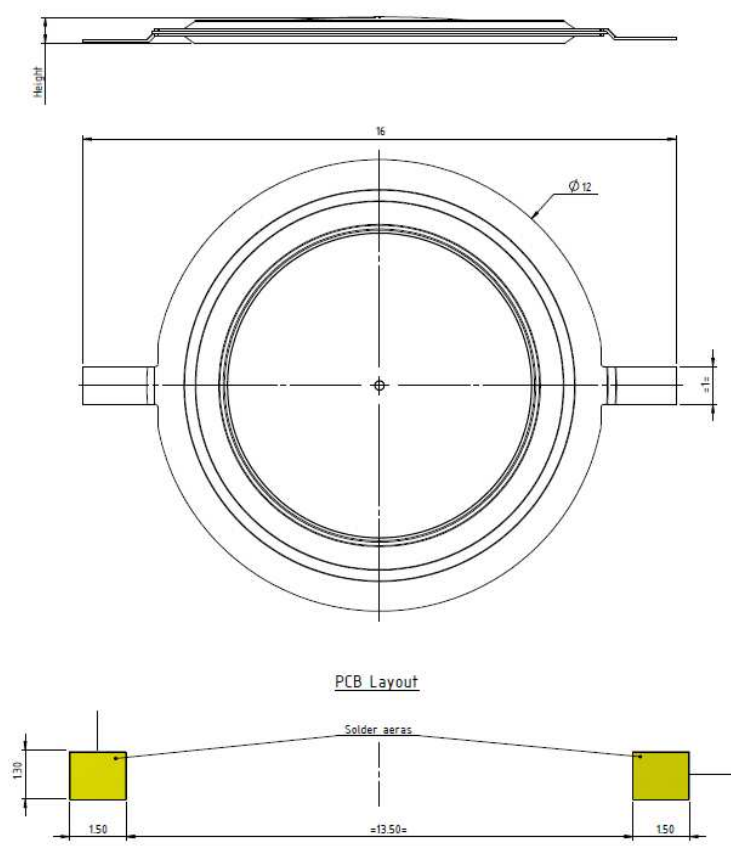
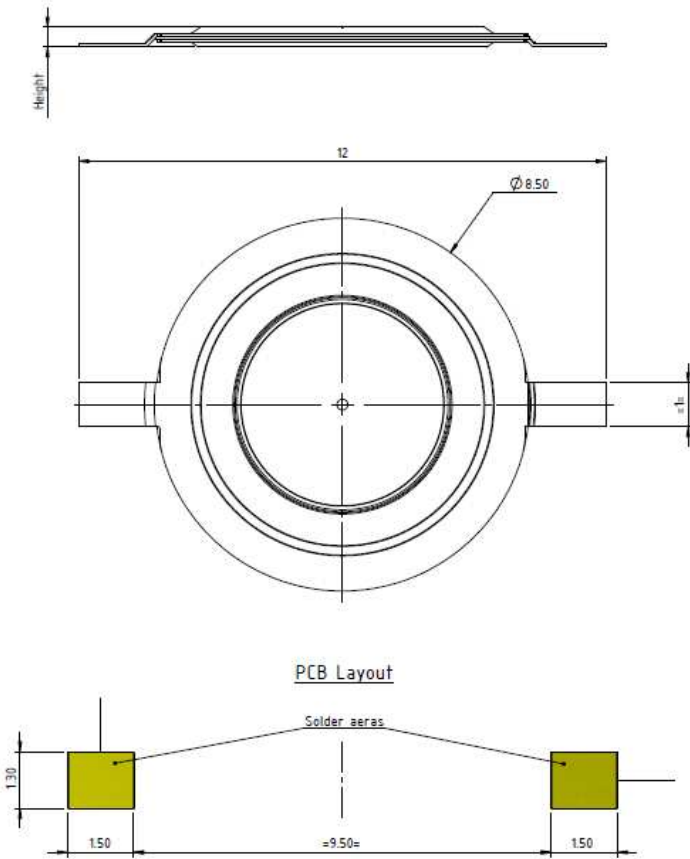
NICOMATIC is certified  
 ISO9001:2008 / EN9100:2003

# T-SWITCH® & P-SWITCH®

**INNOVATION**  
*contact us !*

Ø 8.5 mm

Ø 12 mm



**Range of forces from 200g to 400g**  
**Customization upon request**  
 (size, force, dimple,...)

Ø12mm example :

Switch forces	
Dome reference (340)	340
Trip Force (g)	340 ±30
Rebound force (g)	140 ±20
Click ratio (%)	60-75%
Height (mm)	0.60 ±0.08
Travel (mm)	0.40

**TECHNICAL DATA**

- MATERIAL**
- Dome : AISI 301
  - Adhesive washer : Acrylic transfer.
- PLATING**
- Nickel plated / Gold plated / Silver plated



- MECHANICAL SPECIFICATION**
- Life expectancy 5 000 000 actuations (Actuator Ø12mm Teflon®, spherical tip)

- ELECTRICAL SPECIFICATION**
- Switching voltage : 50V RMS max
  - Switching current : up to 100 mA
  - Contact resistance : <100m Ohms

- THERMAL SPECIFICATION**
- Reflow soldering process compatible +270°C
  - Operating temperature -40°C to +105°C

- REFLOW SOLDERING PROCESS**
- Brazing paste: AIM \_ NC 254 \_ SAC305 \_ No clean
  - T(°C) instructions: TOP=BOTTOM=125-160-195-225-246
  - Speed(cm/min): 49

Ø8.50mm example :

Switch forces	
Dome reference (400)	400
Trip Force (g)	400 ±30
Rebound force (g)	100 ±20
Click ratio (%)	65-85%
Height (mm)	0.45 ±0.05
Travel (mm)	0.30