

D

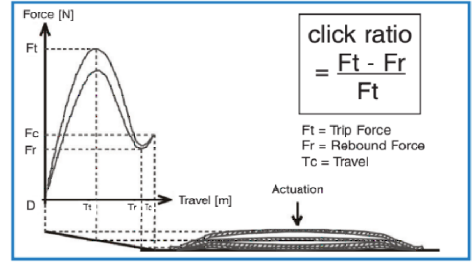
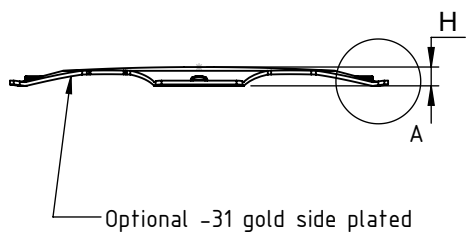
C

B

A

Mechanical characteristics

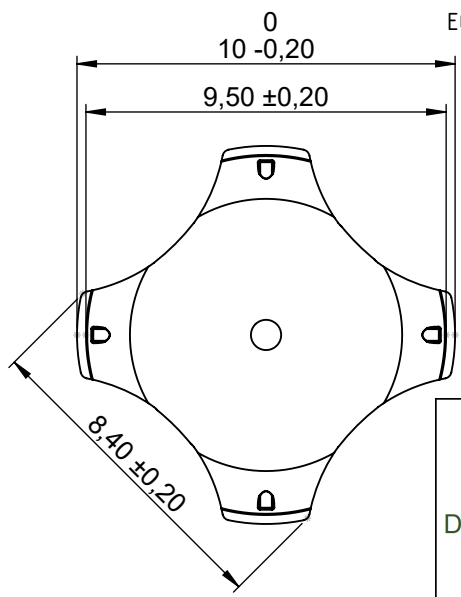
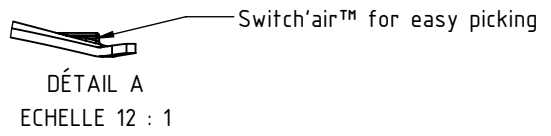
Technical features



Typical force versus travel curve for a metal dome

Storage temperature	-55°C to 125°C
Operating temperature	-40°C to 105°C
Switching capacity	1 Watt
Actuation life	Up to 5 million*
Material	AISI301 - EN 1.4310 - EN X10CrNi18.8

*depending on conditions of use and application type



N10-4L(-D)-XXX-YY

Dome reference XXX	Trip Force ±30 (g)			
	220	280	340	400
Height H ±0.10 (mm)	0,45	0.50	0,55	
Click ratio (%)	40 - 70		50- 80	

Dimple	With -D	Without /

YY	Plating	Thickness
21	Nickel	0.1µ to 0.4µ
31	Gold	0.1µ to 0.4µ (1 face) over 0.1µ to 0.4µ nickel



This document is the property of Nicomatic. It may not be reproduced without the prior written permission of the owner. Law of 11 March 1902.

Catalogue Reference : N10-4L(-D)-XXX-YY



h	03/02/22	C.L.	C.M.	C.Ga.
Ind	Date	Drawn	Checked	Approved
Item : Switch'Air™ Dome Ø10mm 4legs XXXg nickel or gold plated				

Compliant matrix :
Customer reference :

	General ±0.2 tolerance	Scale 5:1	Page 1/1
--	------------------------	-----------	----------

D

A4