



TECHNICALS FEATURES

MATERIAL

INSULATOR : Special PPS (Polyphenylene Sulfide Fiberglass filled thermoplastic) UL 94-V0

- Radiation resistance
- No humidity absorption
- Oxygen free

Note : PPS characteristics are recognized for space applications

SIGNAL CONTACTS for PCB:

- Male :**
- Contact area : Copper alloy / Ni + Au 1µ
 - Contact tail : Copper alloy / Ni + Au flash 0.1µ

FIXING HARDWARE :

- Latch (optional) : Beryllium alloy / Ni 3µ

ELECTRICAL for LF Contacts

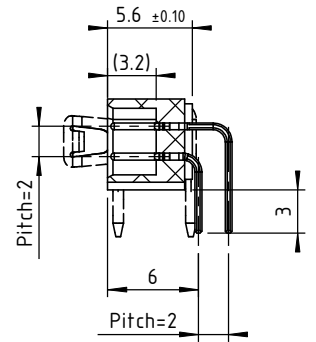
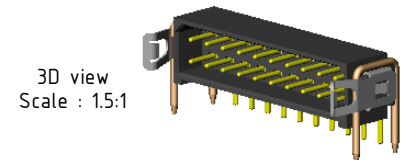
- All contacts : 3 A max. @ 25°C
2.2 A max. @ 85°C
- Working voltage (sea level) : Tested at 800 V DC
- Proof voltage : Tested at 1200 V DC
- Contact resistance (initially) : max. 10 mΩ
- Insulation resistance : 1000 MΩ min

MECHANICAL for LF Contacts

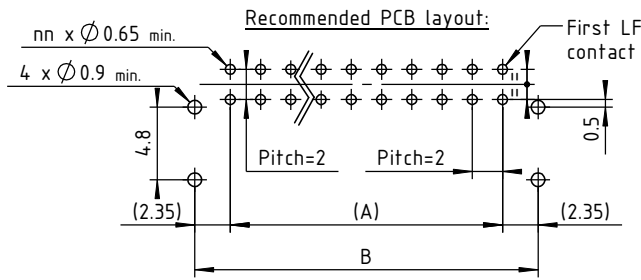
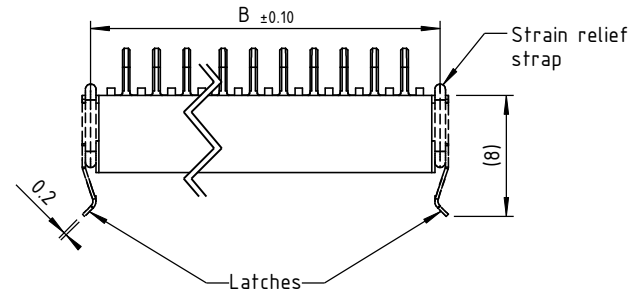
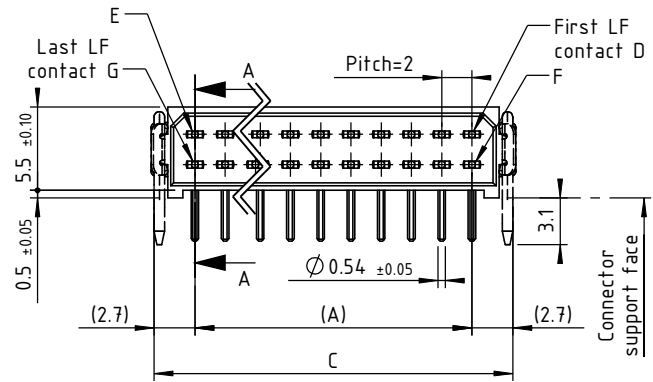
- Mechanical operations : 500 cycles min. up to 2500.
- Contact insertion and withdrawal force : 2 N max. / 0.2 N min.

ENVIRONMENTAL

- Temperature range : From -60°C to +260°C
- Vibration severity : 0.75mm, 10 g RMS 6 hours long random with superimposed sinusoid. No intermittencies measured when using an H.S.L.I. (High Speed Logic Interrupt) detector with a trip threshold of 2 ns.
- Shock severity : 100g for 6 ms
- Solvent resistance : HcFc 141 bMGX (ATOCHEM) solvent
- Salt spray test : 96 hrs
- Humidity test : 56 days @ 90% humidity



CUT A-A



L : Latches fitted
Leave blank : no Latches

The strain relief straps are only supplied with connectors fitted with latches. They are not delivered mount on connectors.

Marking as referenced in the CMM catalogue pages 12 & 13

 www.nicomatic.com Mail : nicomatic@nicomatic.fr Tel : +33 (0)4.50.36.13.85	2	03/03/09	H.L.	E.M.	D.Z.
	Iss	Date	Drawn	Checked	Approved
Item : Connector CMM200 male 90° on PCB, nn LF contacts					
Folder : X:\Méthodes\Plans clients\Plans clients 2D\08 - CMM200\Connecteurs mâles\201V\201Vnn (L)_cl					

CONNECTOR SERIE 200 MALE							
LF contact number nn	Length without Latches in mm			Signal contacts reference mark number			
	A	B	C	D	E	F	G
04	2	6.7	7.4	1	2	3	4
06	4	8.7	9.4	1	3	4	6
08	6	10.7	11.4	1	4	5	8
10	8	12.7	13.4	1	5	6	10
12	10	14.7	15.4	1	6	7	12
14	12	16.7	17.4	1	7	8	14
16	14	18.7	19.4	1	8	9	16
18	16	20.7	21.4	1	9	10	18
20	18	22.7	23.4	1	10	11	20
22	20	24.7	25.4	1	11	12	22
24	22	26.7	27.4	1	12	13	24
26	24	28.7	29.4	1	13	14	26
28	26	30.7	31.4	1	14	15	28
30	28	32.7	33.4	1	15	16	30
32	30	34.7	35.4	1	16	17	32
34	32	36.7	37.4	1	17	18	34
36	34	38.7	39.4	1	18	19	36
38	36	40.7	41.4	1	19	20	38
40	38	42.7	43.4	1	20	21	40
42	40	44.7	45.4	1	21	22	42
44	42	46.7	47.4	1	22	23	44
46	44	48.7	49.4	1	23	24	46
48	46	50.7	51.4	1	24	25	48
50	48	52.7	53.4	1	25	26	50

This document and drawings, sketches, and schematic drawings are the property of the NICOMATIC company. and no parts thereof may be reproduced and used without the written consent of the owner. Law dated 11.03.1902

Catalogue Reference : 201Vnn(L)

	General tolerance ±0.2	Scale 2:1	Page 1/1
--	------------------------	-----------	----------

4
3
2
1

4
3
2
1